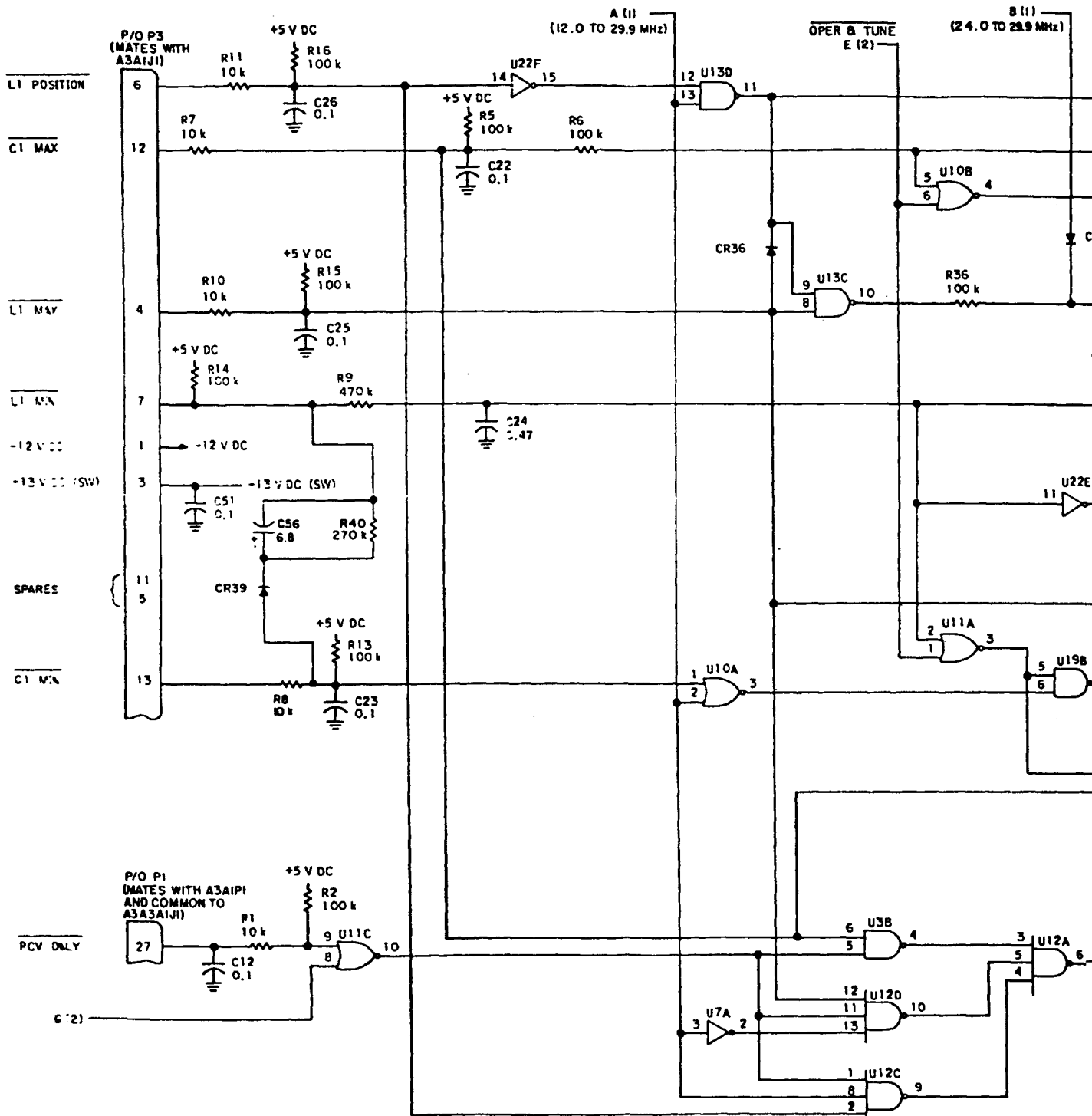
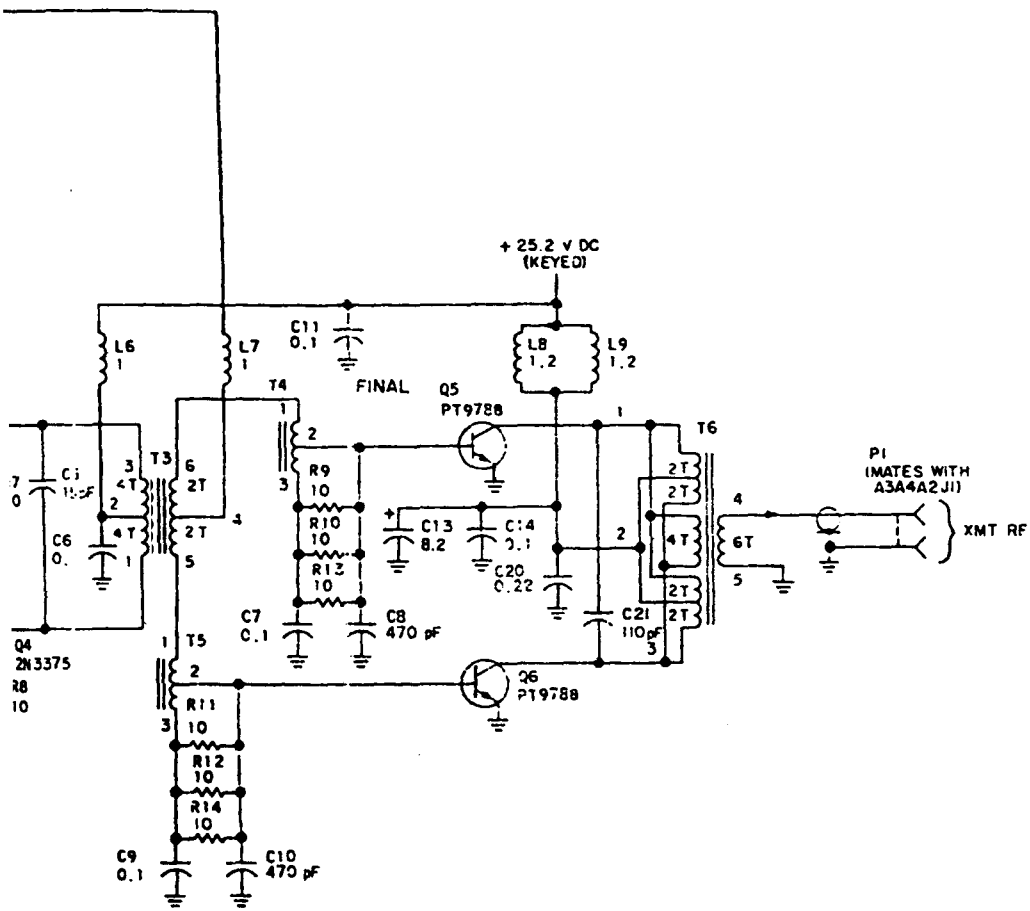


628-4269
TP4-4614-034

Figure 4-17. Control Logic A3A2
Schematic Diagram (Sheet 3)





NOTES:

- ① UNLESS OTHERWISE SPECIFIED, RESISTANCE VALUES ARE IN OHMS, CAPACITANCE VALUES ARE IN MICROFARADS, AND INDUCTANCE VALUES ARE IN MICROHENRYS.
- ② PARTIAL REFERENCE DESIGNATIONS ARE SHOWN; FOR COMPLETE DESIGNATION, PREFIX WITH UNIT AND/OR ASSEMBLY DESIGNATION.

628-4271
TP4-5311-014

Figure 4-18. RF Subassembly A3A4A1, Schematic Diagram

4-45/4-46 (Blank)

J1
 (MATES WITH A3A4A2P1 AND
 COMMON TO A3A3AJ2)

FINAL BIAS

BIAS DIODES

BIAS DIODES

PROTECT ON

REV RF

REVR. SWITCH
 RF IN. OUT

PA ALC

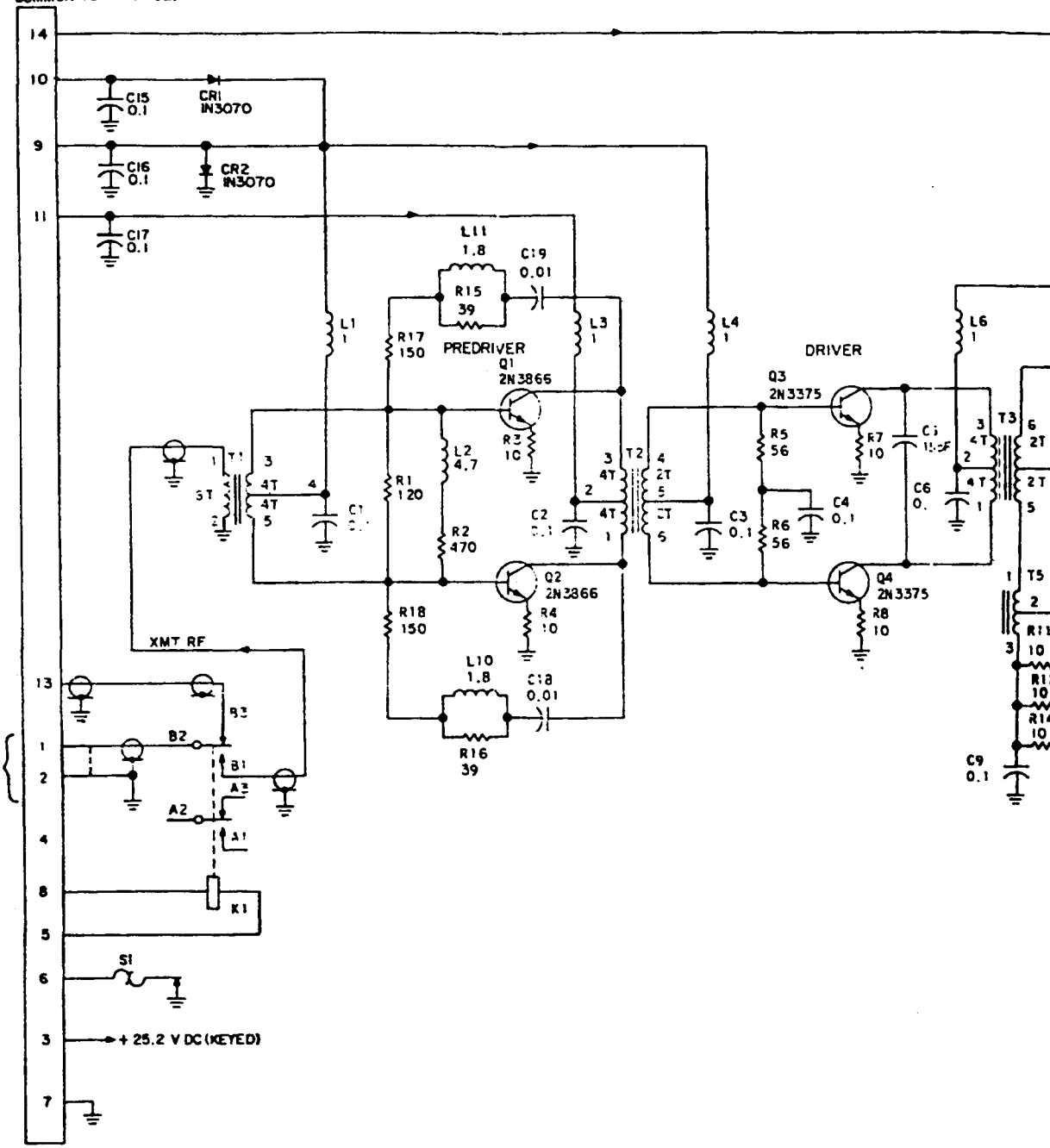
+25.2 V DC (KEYED)
 AND DELAYED

PA KEY

PA LOW POWER
 (THERMAL SW)

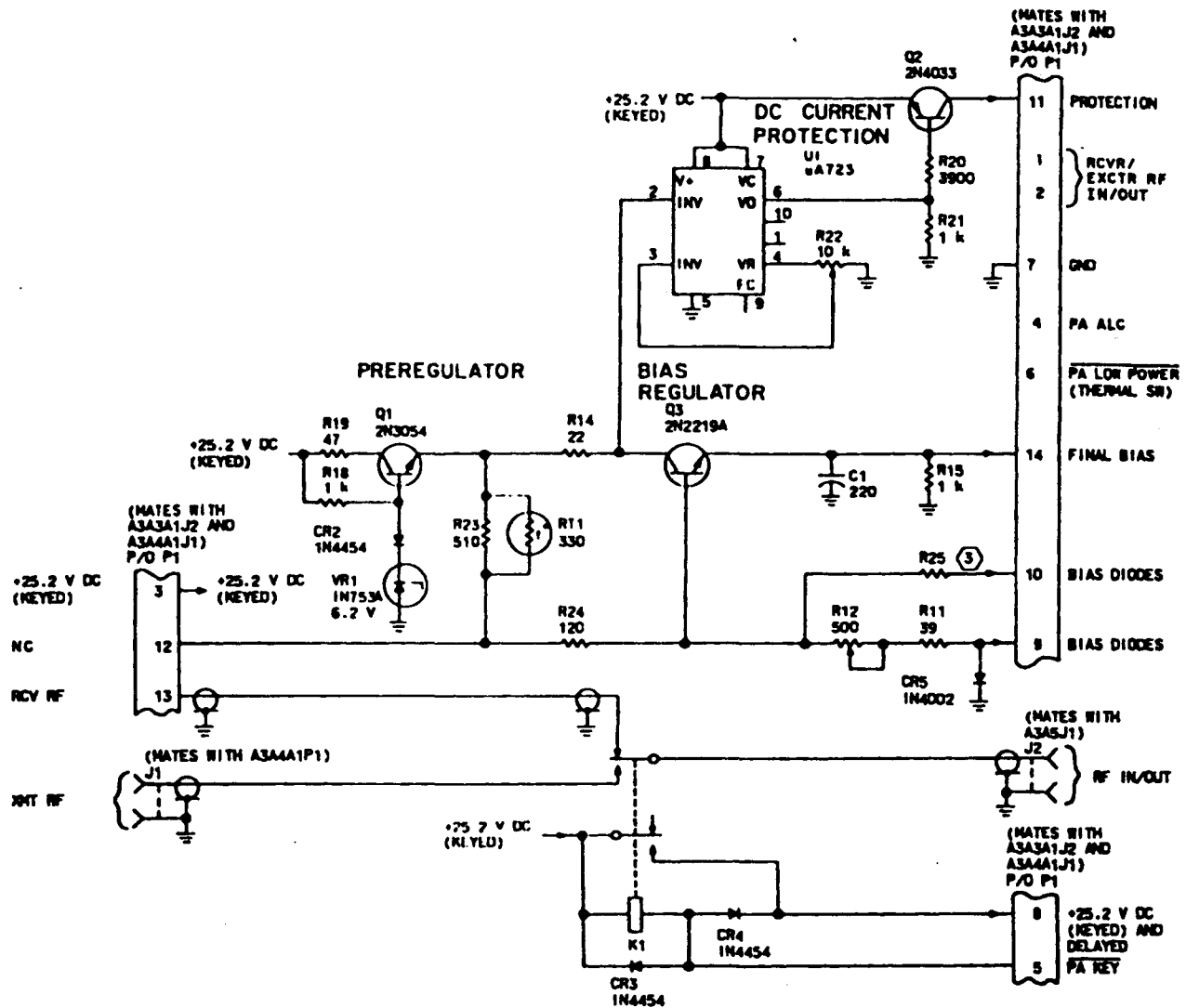
+25.2 V DC (KEYED)

GND



HIGHEST REFERENCE DESIGNATION			
R17	C16	CR4	L12
Q6	T6	K1	S1

REFERENCE DESIGNATION NOT USED			
R13, R14	CR3		
R15, R16			

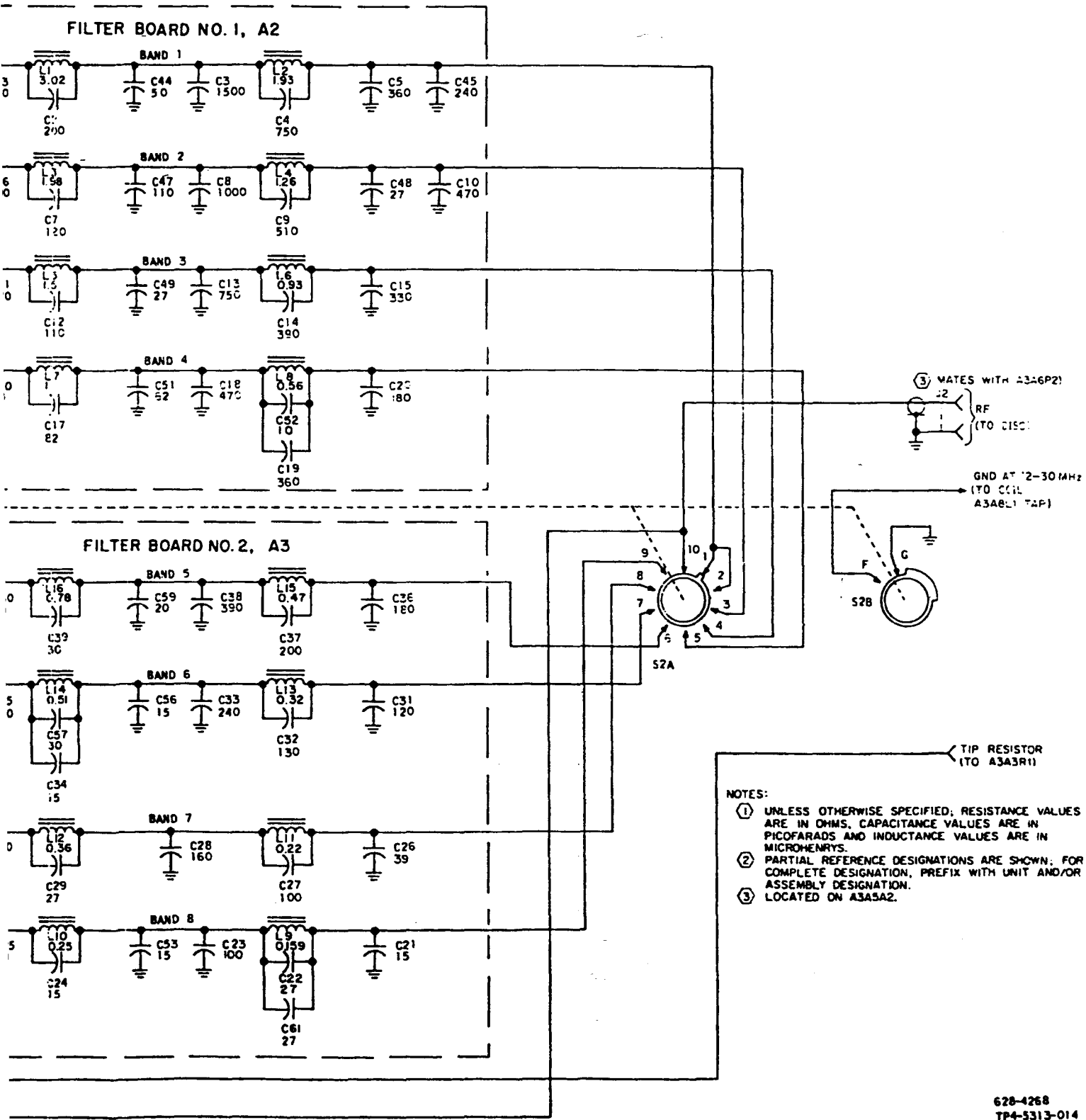


NOTES:

- ① UNLESS OTHERWISE SPECIFIED, RESISTANCE VALUES ARE IN OHMS AND CAPACITANCE VALUES ARE IN MICROFARADS.
- ② PARTIAL REFERENCE DESIGNATIONS ARE SHOWN; FOR COMPLETE DESIGNATION, PREFIX WITH UNIT AND/OR ASSEMBLY DESIGNATION.
- ③ R25 IS A TEST SELECT, MAY BE 0, 3.3 OR 4.7 OHMS.

628-4272
TP4-5312-014

Figure 4-19. Bias/Control A3A4A2,
Schematic Diagram



- NOTES:**
- ① UNLESS OTHERWISE SPECIFIED, RESISTANCE VALUES ARE IN OHMS, CAPACITANCE VALUES ARE IN PICOFARADS AND INDUCTANCE VALUES ARE IN MICROHENRYS.
 - ② PARTIAL REFERENCE DESIGNATIONS ARE SHOWN, FOR COMPLETE DESIGNATION, PREFIX WITH UNIT AND/OR ASSEMBLY DESIGNATION.
 - ③ LOCATED ON A3A5A2.

628-4268
 TP4-5313-014

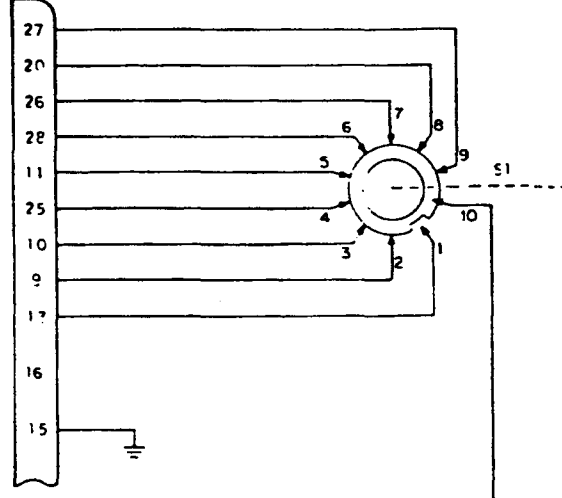
Figure 4-20. Bandswitch A3A5, Schematic Diagram

FREQ BAND 8,
24.0-29.9 MHz
FREQ BAND 7,
16.0-23.9 MHz
FREQ BAND 6,
12.0-15.9 MHz
FREQ BAND 5,
8.0-11.9 MHz
FREQ BAND 4,
6.0-7.9 MHz
FREQ BAND 3,
4.0-5.9 MHz
FREQ BAND 2,
3.0-3.9 MHz
FREQ BAND 1B,
2.4-2.9 MHz
FREQ BAND 1A,
2.0-2.39 MHz

PHASING SENSE

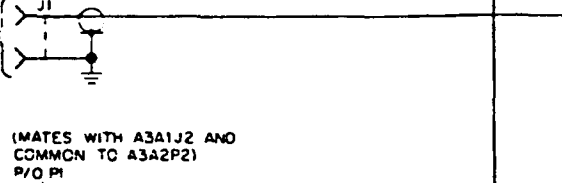
POWER = GND

(MATES WITH A3A1J2 AND
COMMON TO A3A2P2)
P/O P1



(MATES WITH A3A4A2J2)

RF N/OUT



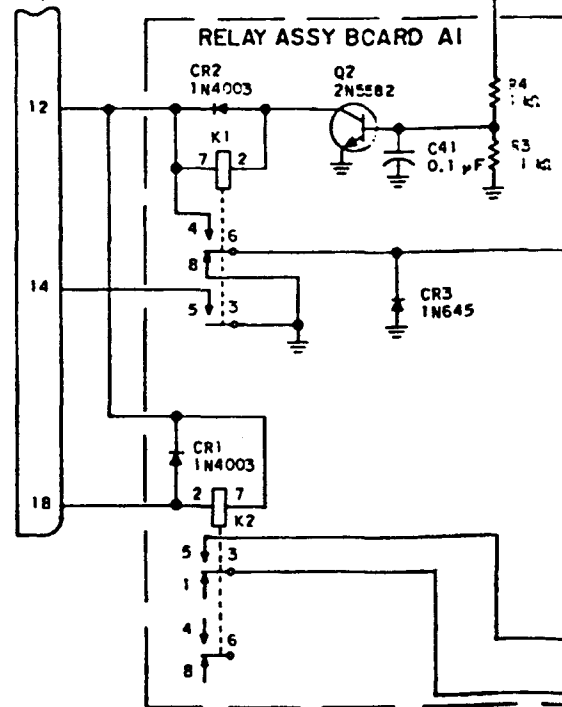
(MATES WITH A3A1J2 AND
COMMON TO A3A2P2)
P/O P1

RELAY ASSY BOARD A1

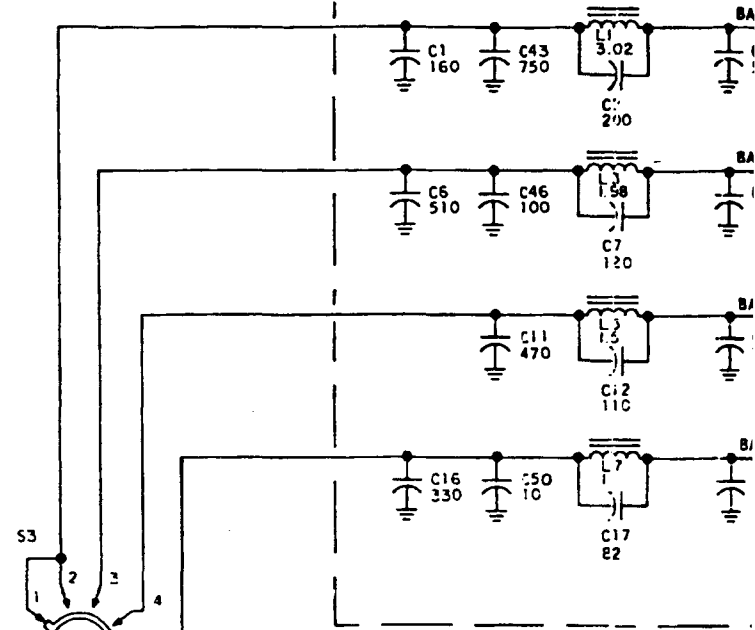
+25.2 V DC

BAND SWITCH
COMPLETE

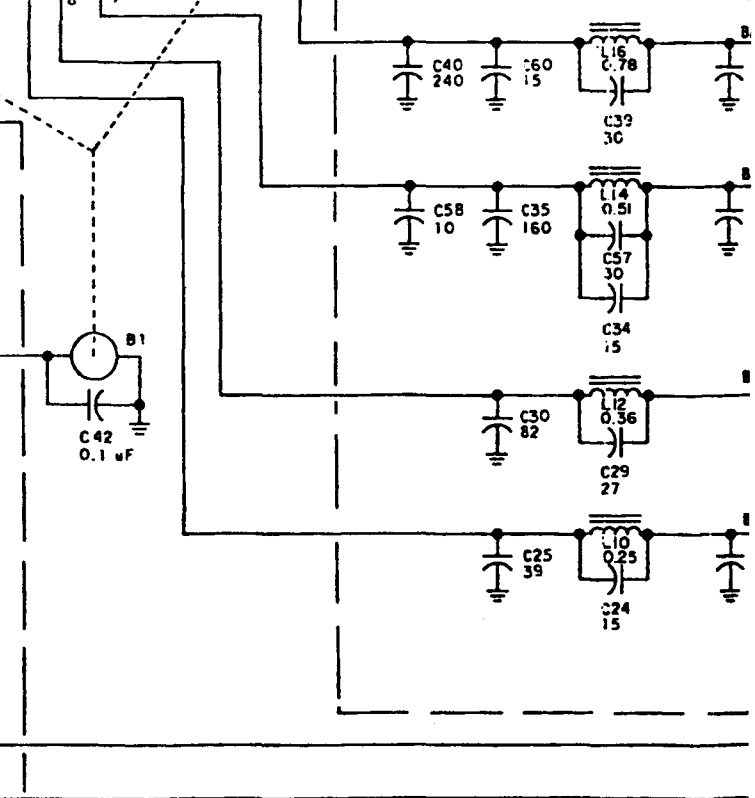
TIP

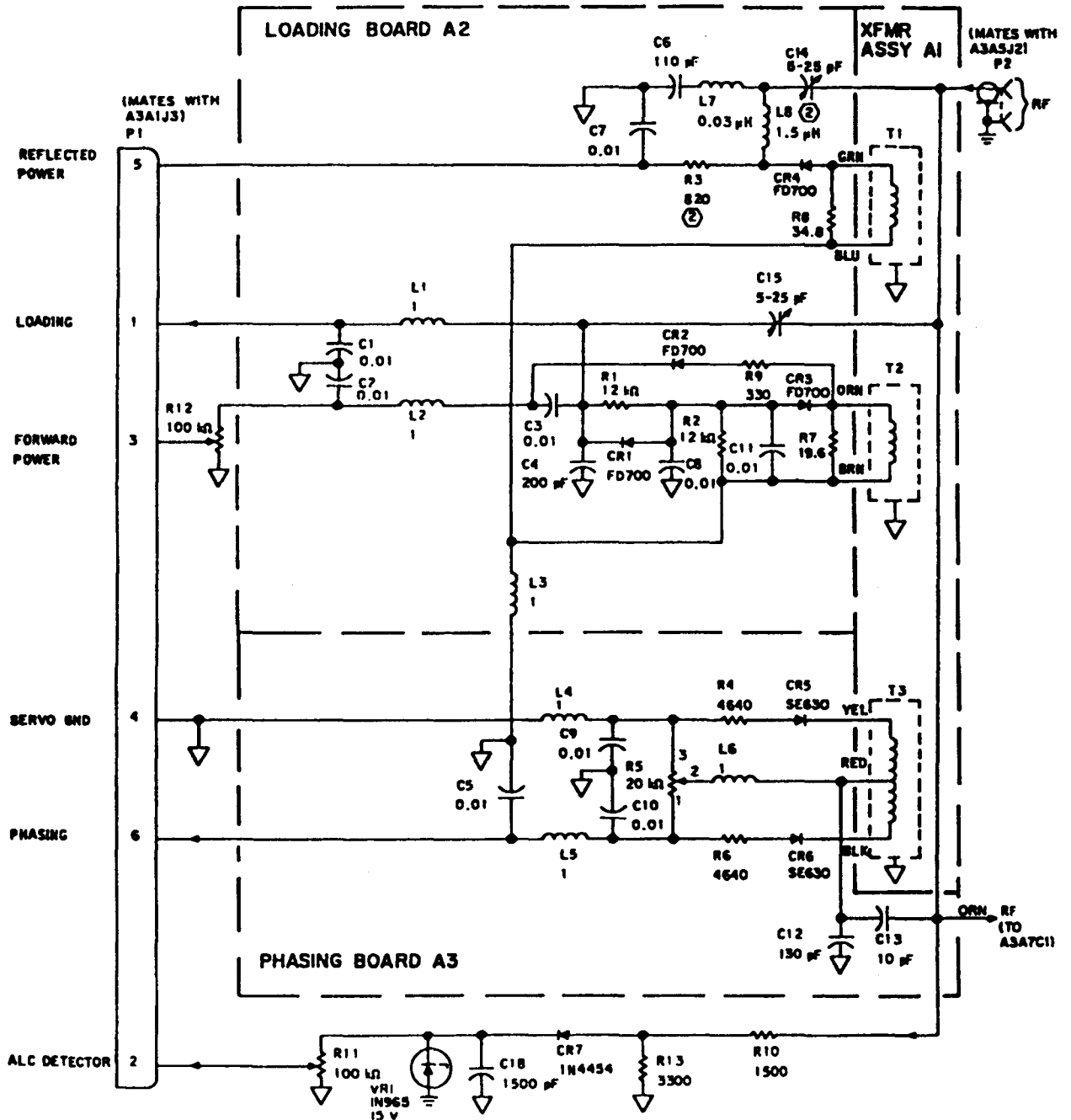


FILTER BOARD



FILTER BOARD

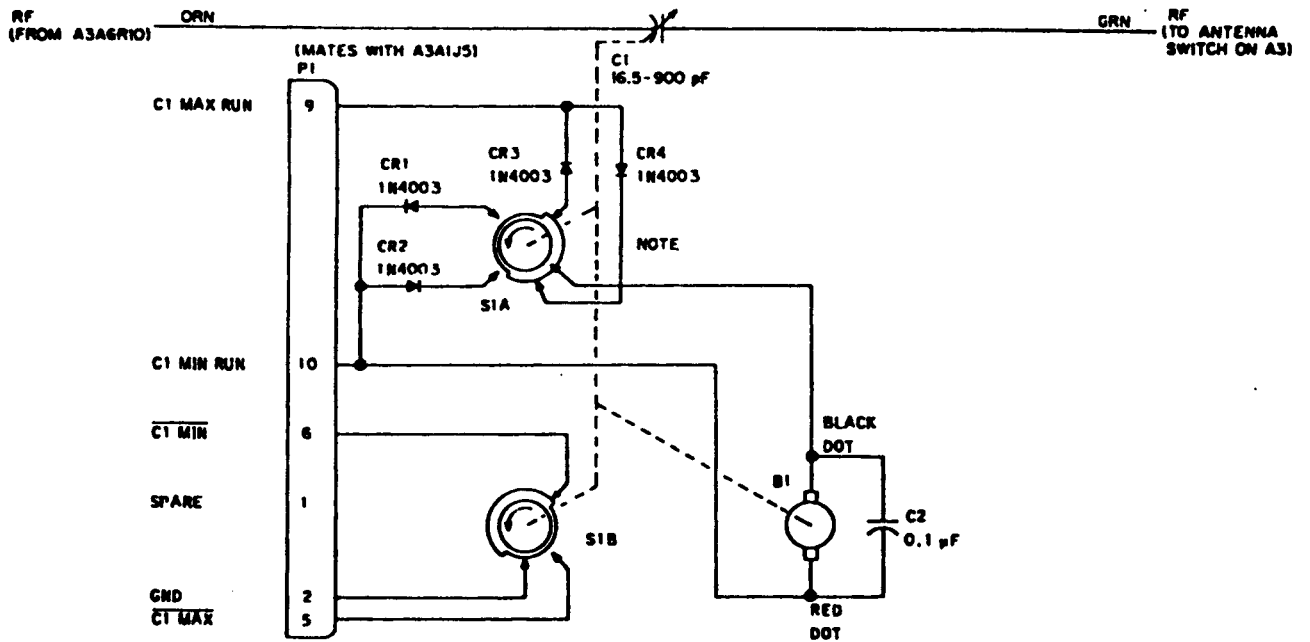




NOTES:
 ① UNLESS OTHERWISE SPECIFIED: RESISTANCE VALUES ARE IN OHMS, CAPACITANCE VALUES ARE IN MICROFARADS, AND INDUCTANCE VALUES ARE IN MILLIHENRYS.
 ② TEST SELECT. NOMINAL VALUE SHOWN.

628-4265
 TP4-4616-014

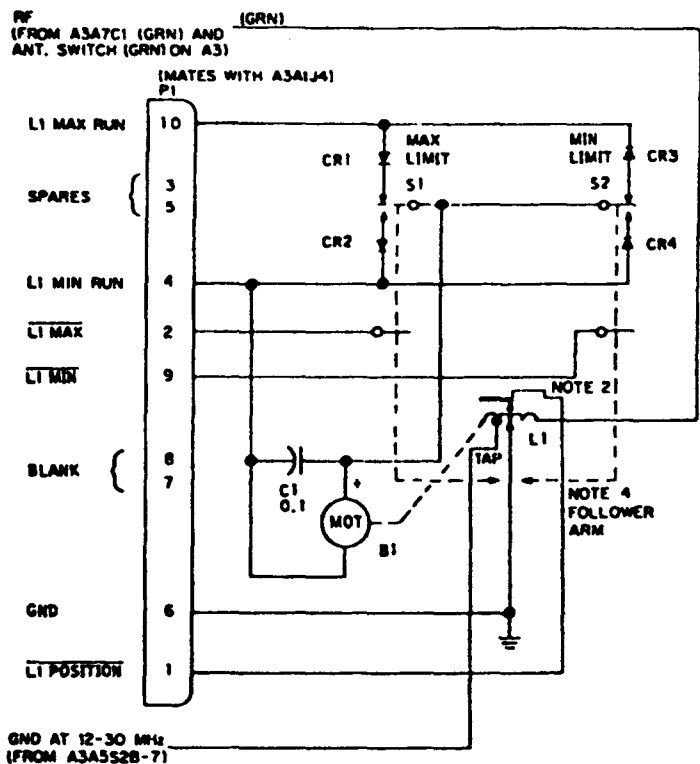
Figure 4-21. Discriminator A3A6, Schematic Diagram



NOTE:
 S1A CONTACT GOING TO CR3 IS OPEN AT MINIMUM. S1A CONTACT
 GOING TO CR4 IS OPEN AT MAXIMUM. ARROW IN SWITCH INDICATES
 DIRECTION TO MAXIMUM.

628-4266
 TP4-4617-013

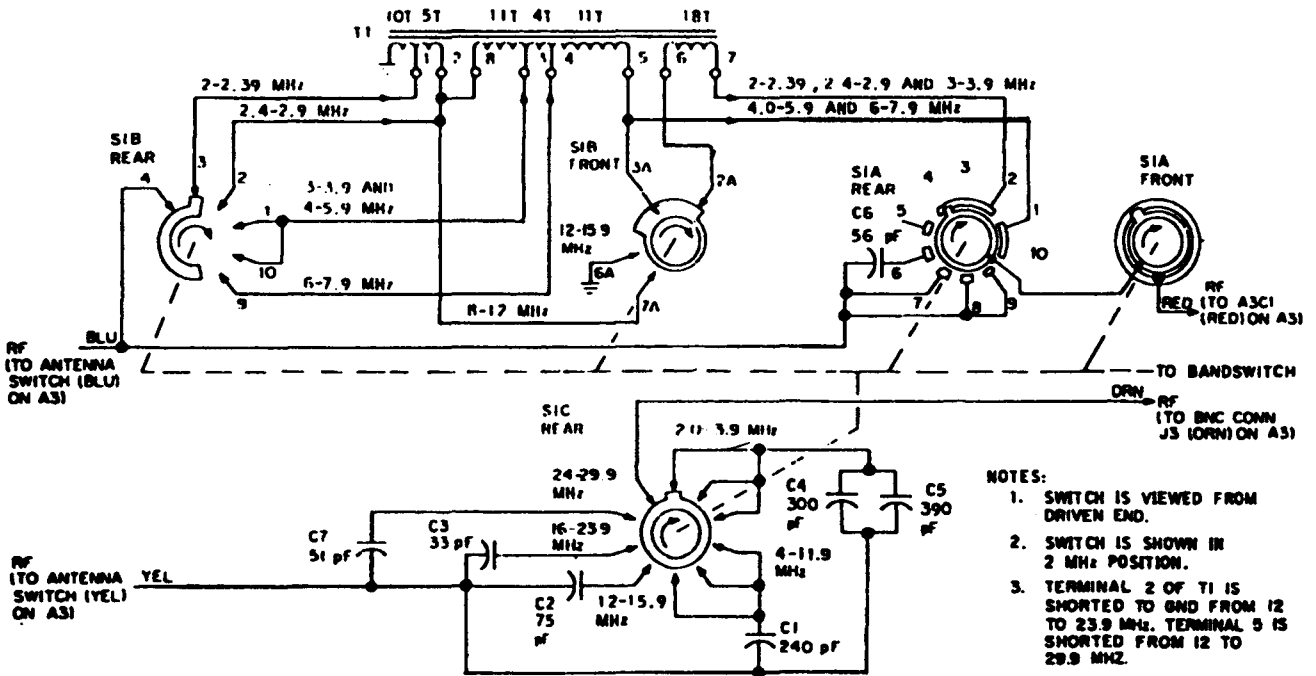
Figure 4-22. Tuning Capacitor A3A7,
 Schematic Diagram



- NOTES:
1. UNLESS OTHERWISE NOTED, DIODES ARE 1N4003.
 2. THE FOLLOWER ARM MAKES CONTACT AND GROUNDS THE POSITIONING CONTACT OVER PART OF THE COIL L1.
 3. UNLESS OTHERWISE SPECIFIED, RESISTANCE VALUES ARE IN OHMS, CAPACITANCE VALUES ARE IN MICROFARADS, AND INDUCTANCE VALUES ARE IN MICROHENRYS.
 4. FOLLOWER ARM ACTUATES S1 AND S2 AND PLACES A GROUND ON ACTUATOR (PIN 2 OR 9).

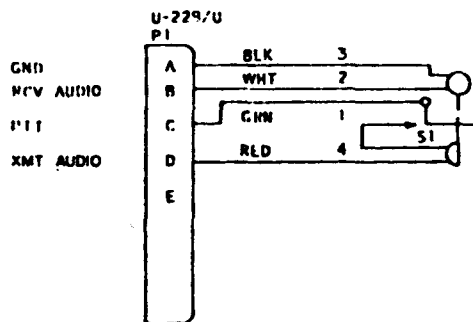
628-4267
TP4-4682-014

Figure 4-23. Tuning Coil A3A8, Schematic Diagram



628-4264
TP4-4618-013

Figure 4-24. Autotransformer A3A9,
Schematic Diagram



TP4-9386-012

Figure 4-25. Handset H-5017/PRC-515,
Schematic Diagram

4-59/4-60 (Blank)